

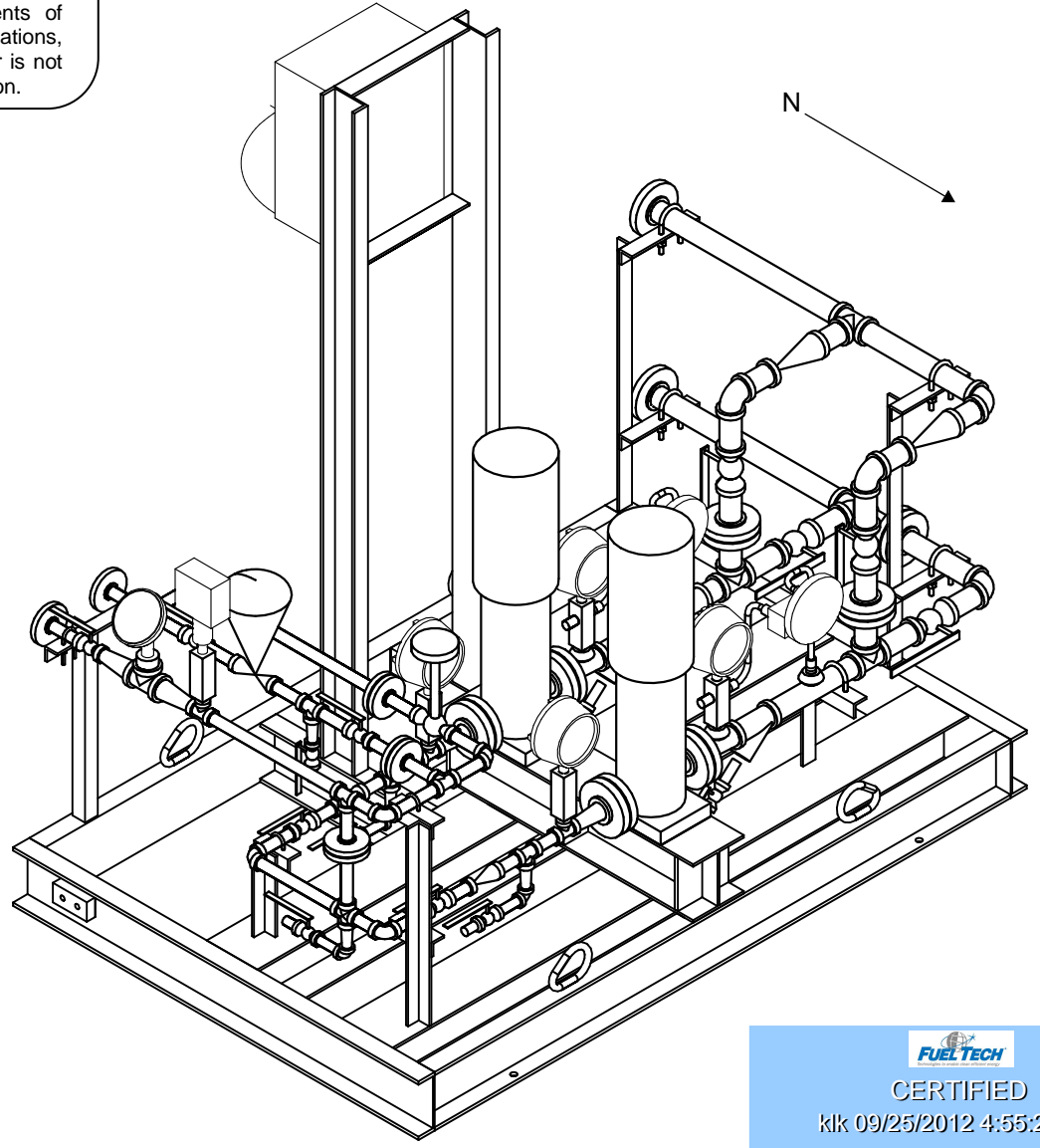
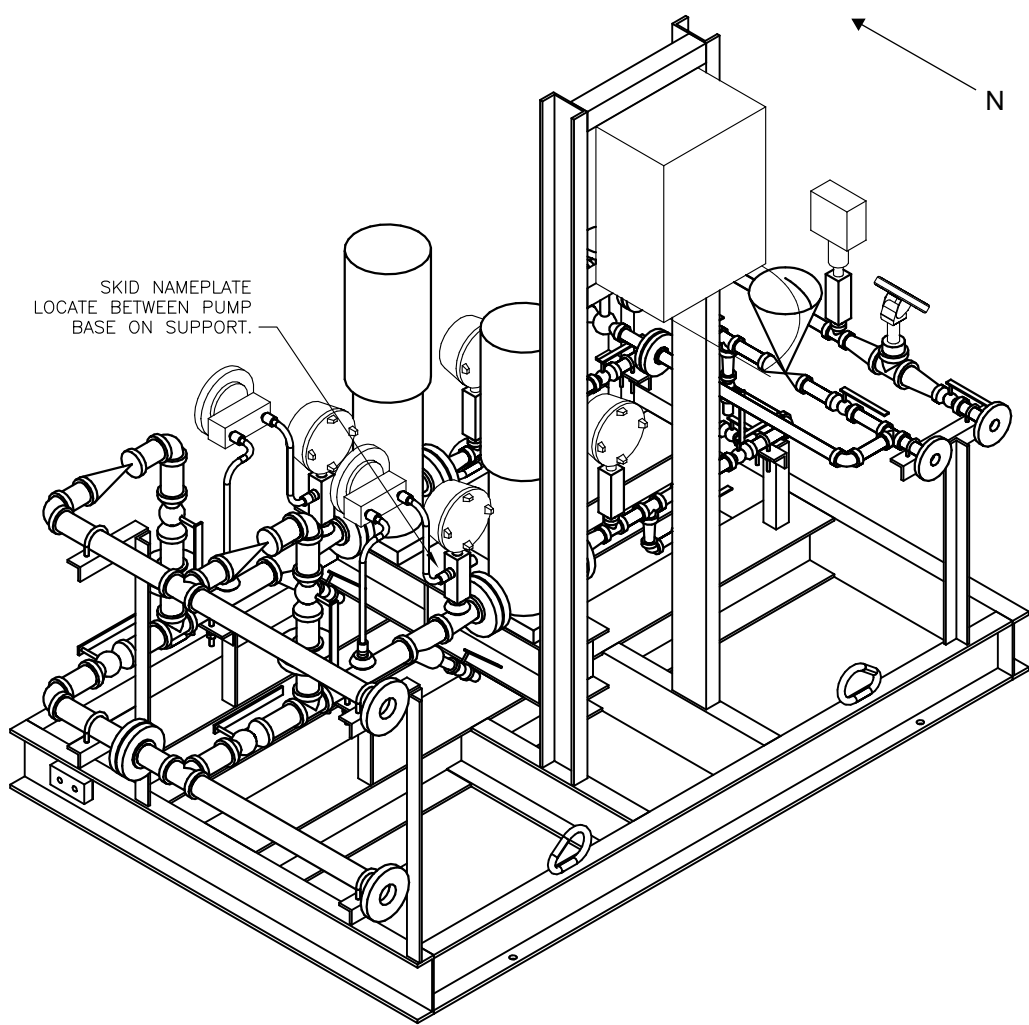
DESCRIPTION: FORWARDING SKID
 CUSTOMER: FUEL TECH
 USER: GAINESVILLE RENEWABLE ENERGY CENTER
 PROJECT: GAINESVILLE RENEWABLE ENERGY CEN.
 CUST. PO: 34081-1
 IFS JOB: 25015 YEAR: 2012
 INTEGRATED FLOW SOLUTIONS, TYLER, TX, USA
 PH.: 001-903-595-6511
 EMAIL: SUPPORT@IFSOLUTIONS.COM

SKID IDENTIFICATION TAG
 4" x 6" STAINLESS STEEL



By Andy Bilmanis on Oct 09, 2012

This review does not supersede requirements of purchase order, design drawings, specifications, codes or regulations. The contractor / supplier is not relieved from responsibility for errors or omission.



FUEL TECH
 CERTIFIED
 kfk 09/25/2012 4:55:24 PM

ISO VIEWS
 (FOR REFERENCE ONLY)

- NOTES:
 1. FOR PLAN VIEW SEE DWG. NO.: G-25015-01.
 2. FOR ELEVATION VIEW SEE DWG. NO.: G-25015-02.
 3. FOR END VIEW SEE DWG. NO.: G-25015-03.



INTEGRATED FLOW SOLUTIONS

6461 REYNOLDS RD, TYLER, TEXAS, USA 75708
 PHONE NUMBER: +1 (903) 595-6511
 EMAIL: SUPPORT@IFSOLUTIONS.COM

THIS DRAWING IS THE PROPERTY OF INTEGRATED FLOW SOLUTIONS AND SHALL NOT BE REPRODUCED, COPIED, LENT, NOR USED FOR ANY PURPOSE OTHER THAN THAT WHICH IT IS FURNISHED EXCEPT BY WRITTEN PERMISSION.

REV.	DATE	DESCRIPTION	DES	ENG
2	18JUL12	REVISED PER CUSTOMER COMMENTS	RM	RC
1	25JUN12	REVISED SUCTION PIPING	RM	RC
0	27FEB12	APPROVED FOR CONSTRUCTION	RM	RC
B	06JAN12	ISSUED FOR CUSTOMER APPROVAL	RM	RC
A	15DEC11	ISSUED FOR CUSTOMER APPROVAL	RM	RC

PROJECT: GAINESVILLE RENEWABLE ENERGY CENTER (GREC)
 CUSTOMER NAME: FUEL TECH
 END USER: GAINESVILLE RENEWABLE ENERGY CENTER (GREC)
 SYSTEM DESCRIPTION: FORWARDING SKID
 CUSTOMER PO#: 34081-1
 ESTIMATED DRY WEIGHT: 1500 LBS.
 ESTIMATED OPERATING WEIGHT: 1550 LBS.

GENERAL ARRANGEMENT FORWARDING SKID

CLIENT No.: P00090761					
SCALE: NONE	SECTION	JOB	SHEET	TOTAL SHEETS	REV.
PM.: D. POLLAN		G - 25015 - 04		4	2